

AUTOMATIC BAG SLITTING MACHINE

General :

The Machine is a versatile automatic emptying machine and earns its name owing to its ability to empty any type of bag be it paper, or HDPE of 25 - 50 kgs capacity. It is ideally suited to Indian conditions where the raw materials in bags are not properly sealed.

The overall system comprises of :

- ▶ Feed Conveyor
- ▶ Bag Emptying Machine
- ▶ Built-in Dust Extraction System
- ▶ Empty Bag Compactor
- ▶ Pneumatic Conveying system

Features :

- ▶ The system can be supplied in modular form.
- ▶ Capacity 20TPH.
- ▶ Saves labour.
- ▶ Totally dust free operation.
- ▶ Easy handling of empty bags.
- ▶ Space required - 9m x 3m x 6m
Power requirement - 15kw approx
(with conveyor/machine proper/DE system/empty bag compactor)

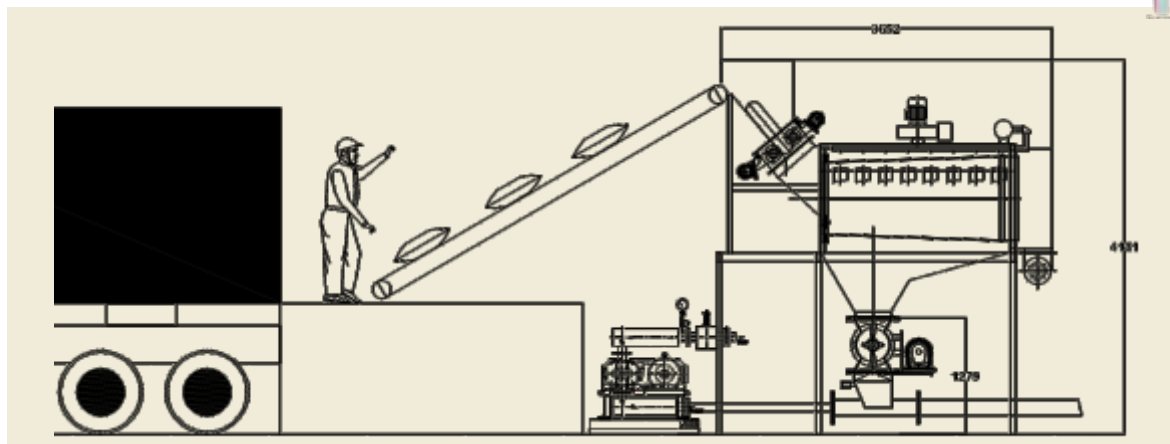


AUTOMATIC BAG SLITTING MACHINE

AUTOMATIC BAG SLITTING MACHINE

AUTOMATIC BAG SLITTING MACHINE

- ▶ Cleanly cut bags
- ▶ No threads
- ▶ Negligible residual material



E : info@cosben.in
W : www.cosben.in

Address:

Plot No, C-39 (B&C), M.I.D.C, T.T.C Industrial Area,
Turbhe-Mahape Road, Pawane, Navi Mumbai 400 075
Maharashtra, INDIA



an ISO 9001:2008 company

